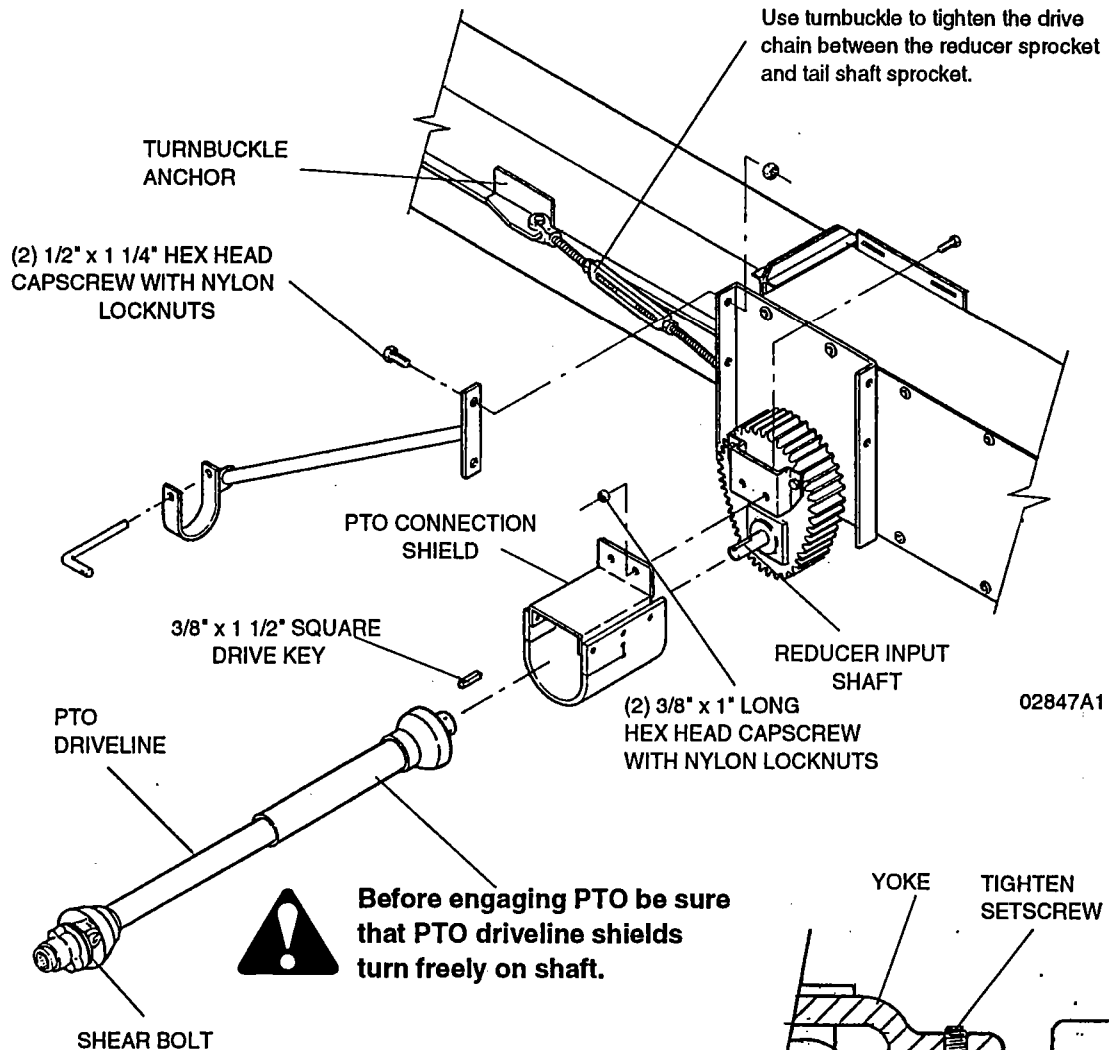
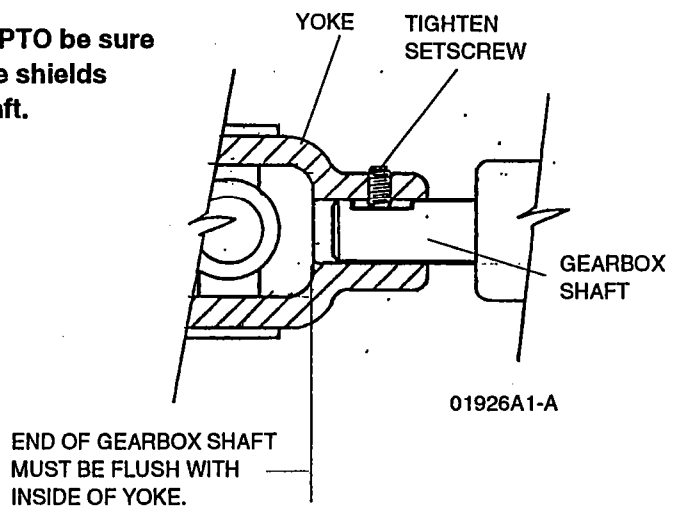


PTO DRIVE ASSEMBLY FOR BOTTOM DRIVE MODEL 50 MASS-TER MOVER

IMPORTANT: Reducers are shipped without OIL. Add about 32 ounces before operating. Use EP-90 lube. Oil level should not reach the larger output shaft, but should be near the shaft.



IMPORTANT: Use with a tractor with 540 RPM power take-off.



The PTO driveline is equipped with a shear bolt at the tractor connection. The shear bolt protects the auger from damage if the auger becomes plugged or subjected to high loads. It is important to use the correct replacement bolt of the proper size and strength to ensure that the shear device will protect the auger and operator.

Order replacement shear bolt, Part No. 33229 - 3/8" x 1" long grade 5 bolt.