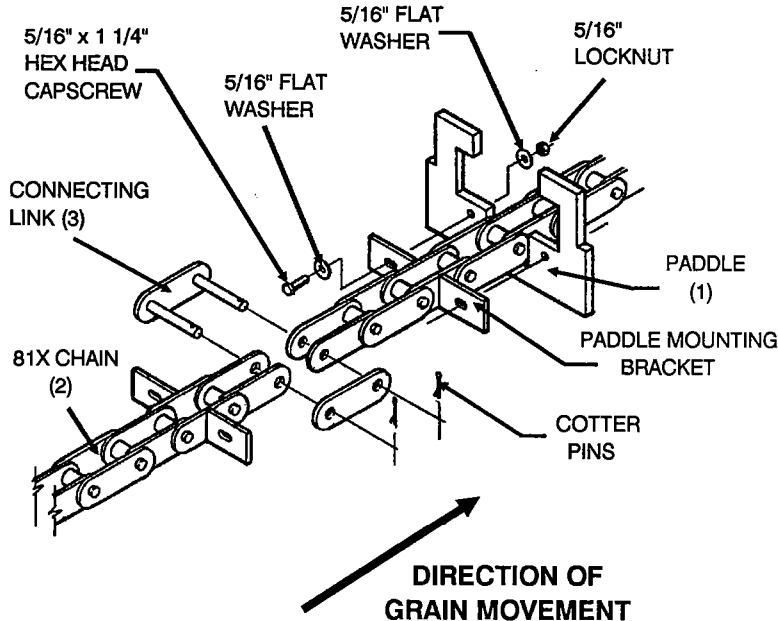


81X CHAIN INFO

MODEL 50 MASS-TER MOVER STATIONARY UNITS & PORTABLE BOTTOM DRIVE UNITS PARTS LIST

REF. NO.	PART NO.	DESCRIPTION
1	1005441	Plastic Paddle 3/8" Thick
1	1005593	Plastic Paddle f/AR Units
2	1006089	81X Chain with Brackets (per foot)
3	420154	Connecting Link
3	420200	Offset Link
--	1005566	12 Tooth 1 1/2" Bore Sprocket (Used on Stationary Boot)
--	1005565	12 Tooth 2" Bore Sprocket (Used on Stationary Boot and Portable Head and Boot)



MODEL 85 MASS-TER MOVER STATIONARY UNITS AND TRAC-MASSTER PARTS LIST

REF. NO.	PART NO.	DESCRIPTION
1	1005588	Plastic Paddle 1/2" Thick
1	1005594	Plastic Paddle f/AR Units
2	1006090	81X Chain with Brackets (per foot)
3	420154	Connecting Link
3	420200	Offset Link
--	420092	16 Tooth 2" Bore (Used on Stationary Head 3-10 HP and Stationary Boot)
--	420065	16 Tooth 2 7/16" Bore (Used on Stationary Head 7 1/2 - 25 HP and Trac-Masster Head and Boot)

