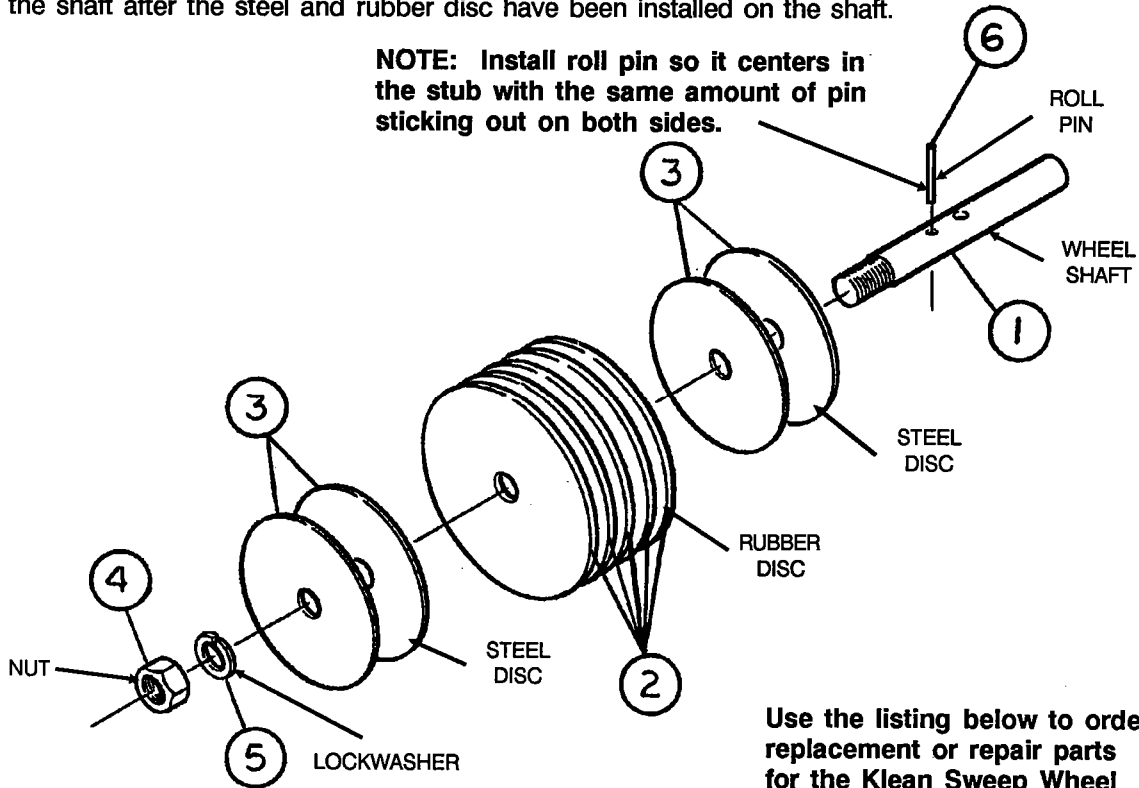


6" & 8" KLEAN SWEEP WHEEL ASSEMBLY INSTRUCTIONS

Use the drawing below to see how to assemble the sweep wheel. Be sure to tighten the nut securely to the shaft after the steel and rubber disc have been installed on the shaft.



NOTE: Install roll pin so it centers in the stub with the same amount of pin sticking out on both sides.

Use the listing below to order replacement or repair parts for the Klean Sweep Wheel Assembly.

6" KLEAN SWEEP

REF. NO.	PART NO.	QTY. PER ASSEMBLY	DESCRIPTION
1	1010032	1	Wheel Shaft (13/16 dia. x 7 1/4" lg.)
2	6880A	5	Rubber Disc (5" dia.)
3	50240A1	4	Steel Outside Disc (4" dia.)
4	D1152	1	Nut 3/4" (non-lock)
5	D1153	1	Lockwasher 3/4"
6	6386C	1	Roll Pin 5/16" x 2" long

8" KLEAN SWEEP

REF. NO.	PART NO.	QTY. PER ASSEMBLY	DESCRIPTION
1	1010032	1	Wheel Shaft (13/16" dia. x 7 1/4" long)
2	8849A	5	Rubber Disc (6" dia.)
3	50241A1	4	Steel Outside Disc (5" dia.)
4	D1152	1	Nut 3/4" (non-lock)
5	D1153	1	Lockwasher 3/4"
6	6386C	1	Roll Pin 5/16" x 2" long