

## 6" CENTURY GEARBOX CONVERSION KIT

Gearbox No. 6329D was used on 6" Century Augers from January 1974 to April 1, 1990. This gearbox was manufactured by Curtis Machine Company and is no longer available. Hutchinson has developed this conversion kit to be used in place of Gearbox No. 6329D.

The Conversion Kit consists of:

Qty.	Part No.	Description
1	1003954	Gearbox
1	1004193	Belt Guard Bracket (Used for Top Mounted Electric drives only.)
1	1004204	Mounting Ear Bracket (Used on Underslung Mounted Drive only).

**For PTO Direct Drive**, the 1003954 gearbox can be bolted to the gearbox mount and fastened to the drive shaft in the same manner as gearbox 6329D.

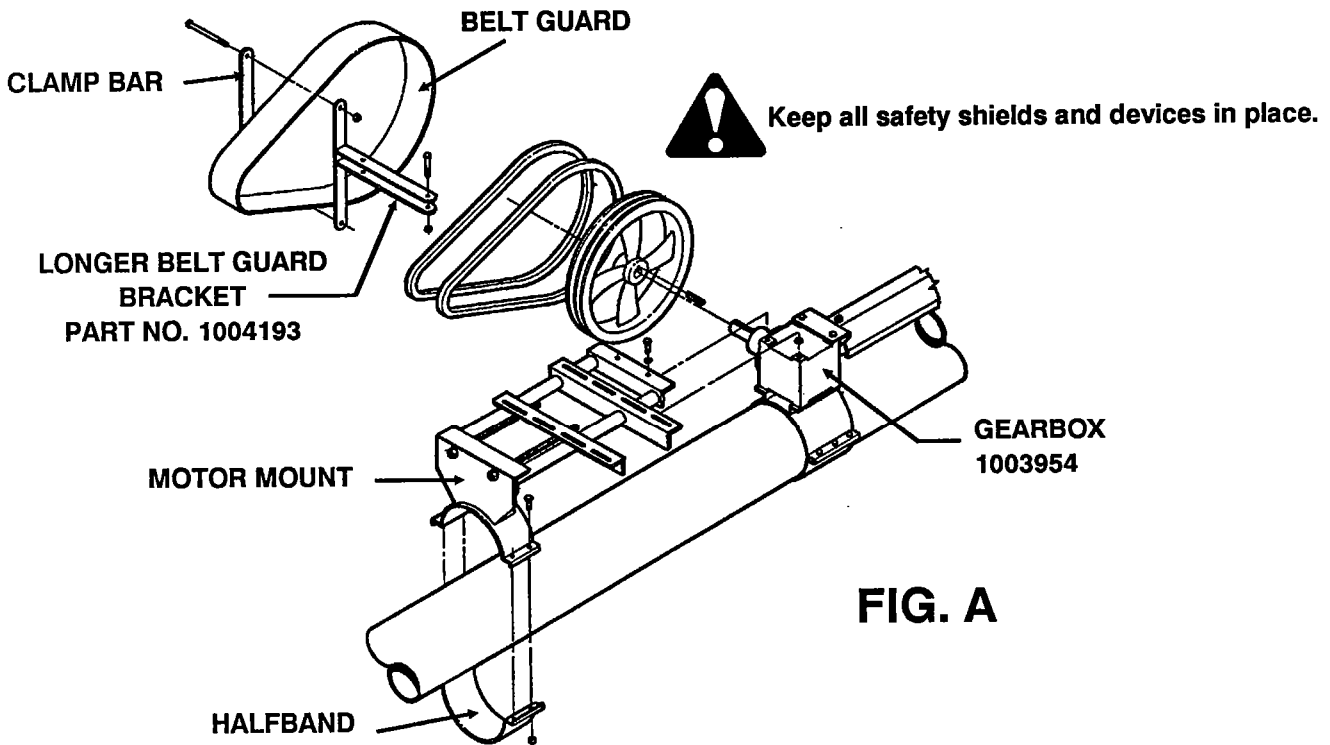
**For Top Mounted Electric Drive**, the 1003954 gearbox will mount to the gearbox mount and fasten to the drive shaft in the same manner as gearbox 6329D. A longer belt guard bracket will need to be used with gearbox 1003954. (Use the belt guard bracket provided with this kit.) See Fig. A.

**For Underslung Mounted Drive**, the 1003954 gearbox will mount to the gearbox mount and fasten to the drive shaft in the same manner as gearbox 6329D. A special gearbox bracket needs to be bolted to the top of the gearbox 1003954 to provide a mounting collar for the underslung frame pivot. See Fig. B.

If there are problems assembling the components provided in this kit, please contact us for assistance.

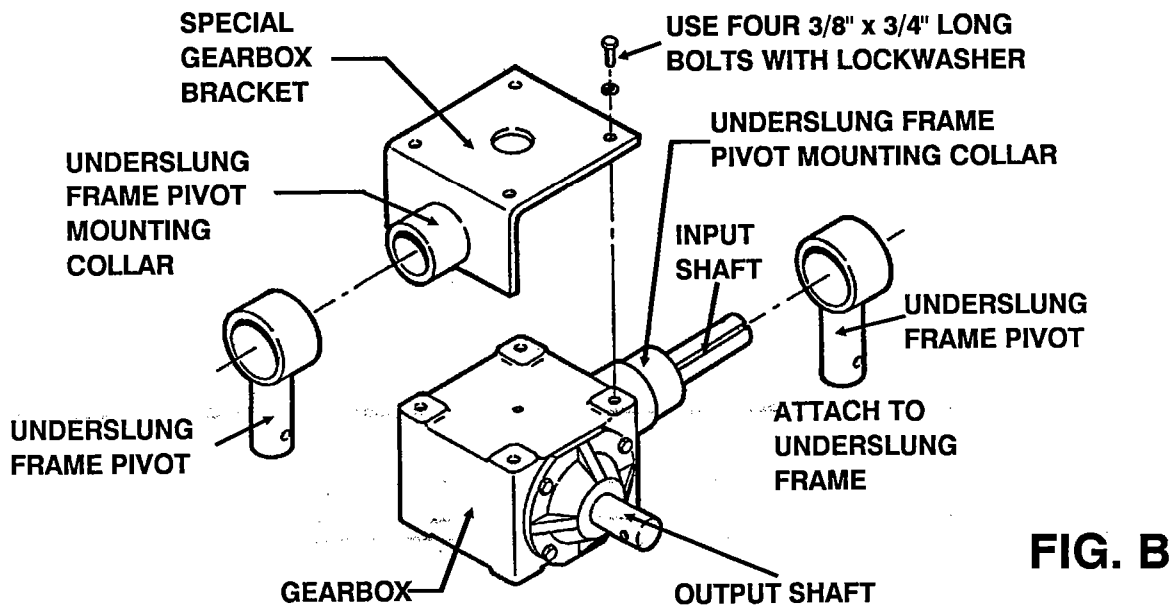
If any safety shields or guards are missing or damaged. Hutchinson will replace them **FREE OF CHARGE**, regardless of the age of equipment. If you believe your Hutchinson auger is in need of safety equipment, contact us for your **SAFETY EQUIPMENT CATALOG**. This special safety equipment catalog lists all items needed to bring or keep your Hutchinson portable auger to current safety standards.

# TOP MOUNTED ELECTRIC DRIVE



# UNDERSLUNG MOUNT DRIVE

Mount special gearbox bracket to top of gearbox using four 3/8" x 3/4" long bolts with lockwashers. (See Fig. B.). Do not remove the drive shaft cover attachment bracket that is on top of gearbox.



**GEARBOX - #1003954**  
**USED ON 6" CENTURY AUGER**

**SPECIFICATIONS:**

**RATIO -** 1 to 1  
**INPUT SHAFT -** 1" diameter with  
1/4" keyseat and  
5/16" pinhole  
**OUTPUT SHAFT -** 1" diameter with  
3/8" pinhole  
**SUPPLIER -** NECO

HUTCHINSON			
REF. NO.	PART NO.	QTY.	DESCRIPTION
1	40411	1	Housing
2	40405	VAR	Shim (.003)
3	40404	VAR	Shim (.005)
4	40403	VAR	Shim (.010)
5	40389	2	Bearing Cup
6	40388	2	Bearing Cone
7	40387	2	Key
8	40395	2	Gear
9	40380	VAR	Gasket (.015)
10	40381	VAR	Gasket (.010)
11	40382	VAR	Gasket (.003)
12	1004200	1	Shaft
13	40378	2	Bearing Cup
14	40377	2	Bearing Cone
15	41383	1	Spacer
16	41384	2	Retaining Ring
17	40375	2	Seal
18	41385	1	Shaft
19	41386	1	Cap
20	40379	8	Sems Cap Screw
21	40374	1	Cap
22	40391	1	Pipe Plug (Solid)
23	40392	1	Pipe Plug (Vented)
24	40943	1	I.D. Tag
25	41252	4	Rivets
26	41381	4	Shim (.020)

