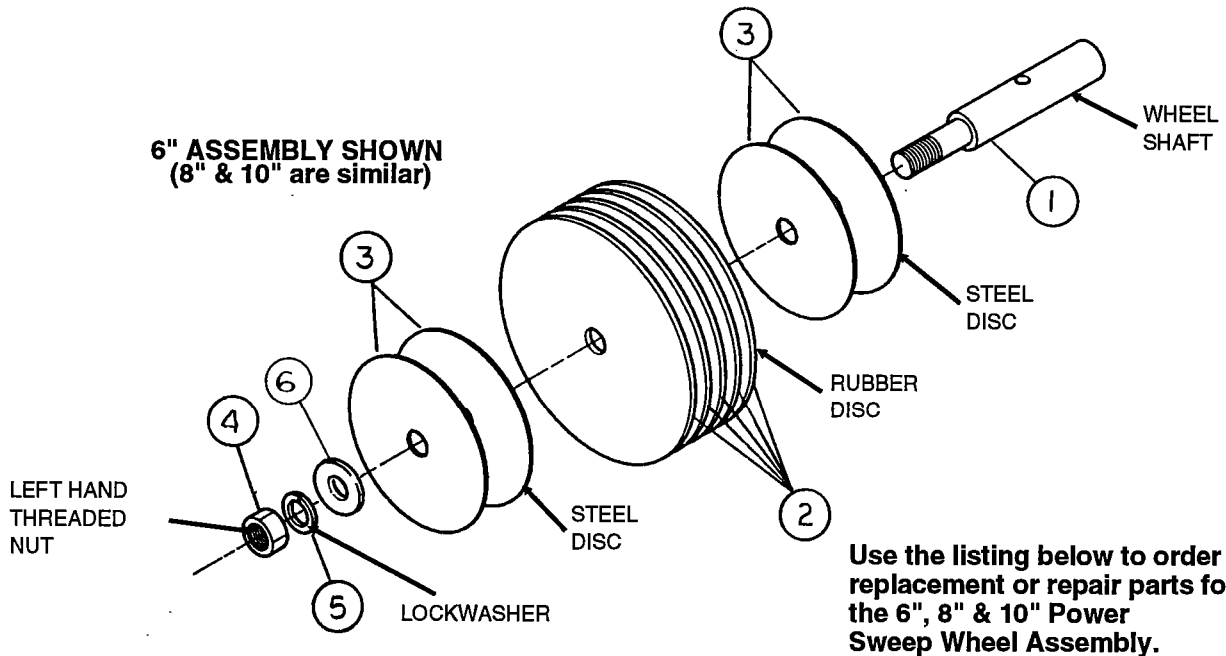


6", 8" & 10" POWER SWEEP WHEEL ASSEMBLY INSTRUCTIONS

Use the drawing below to see how to assemble the sweep wheel. Be sure to tighten the nut securely to the shaft after the steel and rubber disc have been installed on the shaft.



Use the listing below to order replacement or repair parts for the 6", 8" & 10" Power Sweep Wheel Assembly.

6" POWER SWEEP

REF. NO.	PART NO.	QTY. PER ASSEMBLY	DESCRIPTION
1	1010033	1	Wheel Shaft (1" dia. x 9 1/8" lg.)
2	8849A	5	Rubber Disc (6" dia.)
3	50241A1	4	Steel Outside Disc (5" dia.)
4	1010034	1	Nut 3/4" Left Hand Threads
5	D1153	1	Lockwasher 3/4"
6	33027	1	Flatwasher 3/4"

8" POWER SWEEP

REF. NO.	PART NO.	QTY. PER ASSEMBLY	DESCRIPTION
1	1010035	1	Wheel Shaft (1 1/4" dia. x 9" long)
2	5305H	3	Rubber Disc (8" dia.)
3	50242A1	4	Steel Outside Disc (6 1/2" dia.)
4	1010034	1	Nut 3/4" Left Hand Threads
5	D1153	1	Lockwasher 3/4"
6	33027	1	Flatwasher 3/4"

10" POWER SWEEP

REF. NO.	PART NO.	QTY. PER ASSEMBLY	DESCRIPTION
1	1010035	1	Wheel Shaft (1 1/4" dia. x 9" long)
2	5305H	3	Rubber Disc (8" dia.)
3	50242A1	4	Steel Outside Disc (6 1/2" dia.)
4	1010034	1	Nut 3/4" Left Hand Threads
5	D1153	1	Lockwasher 3/4"
6	33027	1	Flatwasher 3/4"