

# CONTROL LEVER KIT

## ASSEMBLY INSTRUCTIONS

NOTE: For assembly of 10" lever kits, the control lever assembly will be rotated to the left and go through the hole indicated in drawing.

A. Attach control pipe straps to the center well control pipe (7/8" O.D. pipe) using a 5/16" x 2" long bolt with a nylon lock nut. Do not over tighten bolt, straps should rotate freely on pipe.

B. Bolt control lever to control pipe straps using a 3/8" x 1 1/4" long bolts with nylon lock nuts. Do not over tighten bolt, as lever should rotate freely on straps.

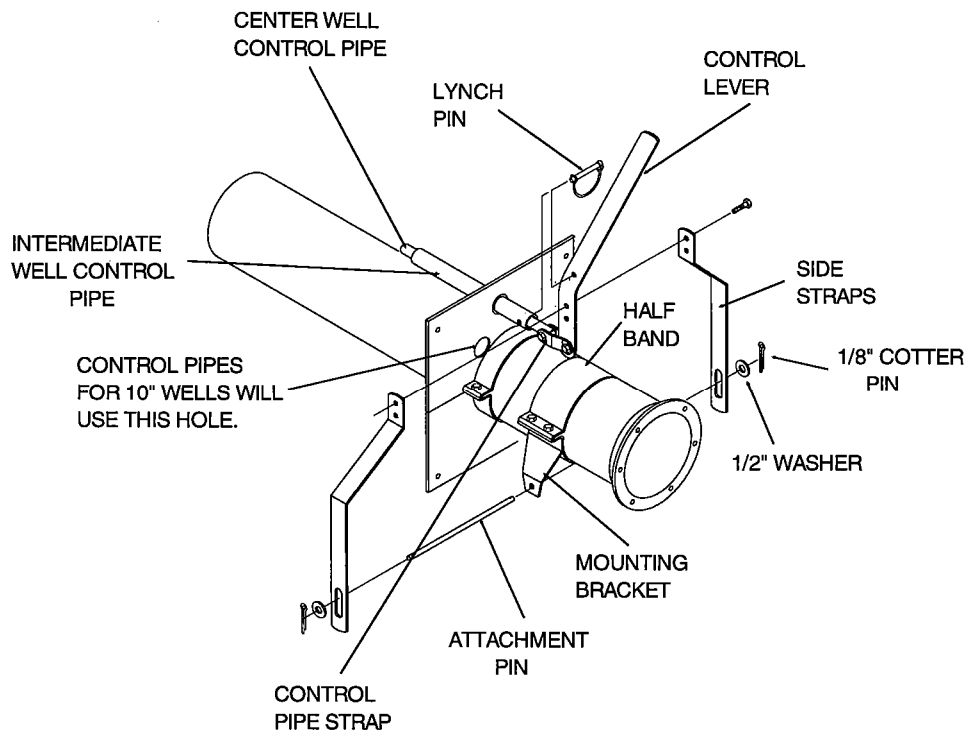
C. Locate mounting bracket and half band approximately 4" from end of center well control pipe. Bolt half band to bracket with (4) 5/16" x 1 1/2" long bolts and (4) 5/16" non-lock nuts.

D. Attach side straps to mounting bracket with attachment pin, 1/2" washers and 1/8" cotter pins.

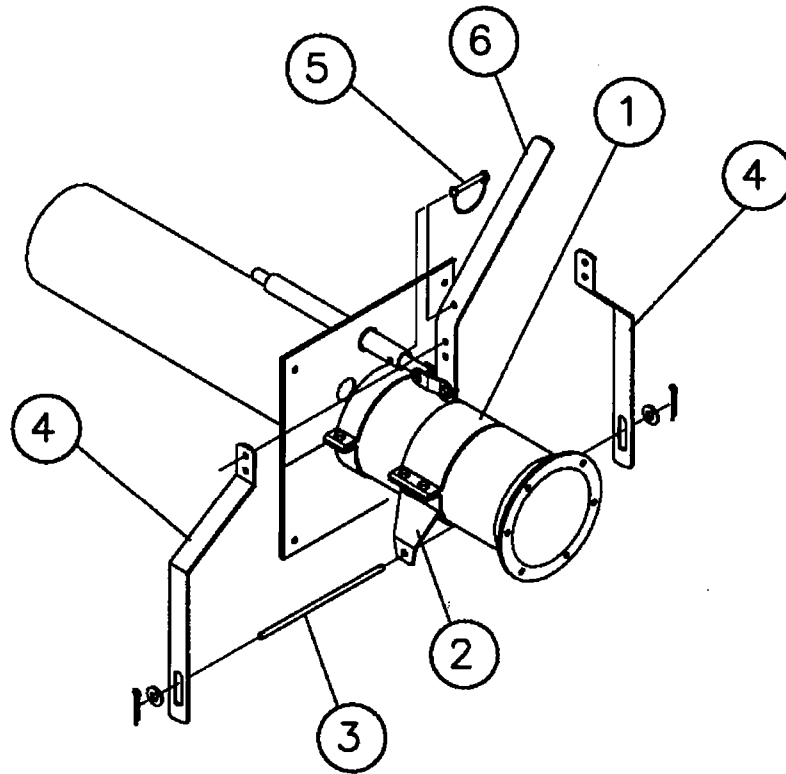
E. Bolt the side straps to the control lever with (2) 5/16" x 1 1/4" long bolts and nylon lock nuts.

F. Store lynch pin in extra hole on control lever. When it is necessary to open the intermediate bin well gates, the lynch pin will need to be installed through the holes in the intermediate and center well control pipes.

G. Check gate operation by separately pulling on the control pipes, control gates should slide freely.



# PARTS LIST



REF. NO.	PART NO.	DESCRIPTION
1	5046A1	Half Band, 6" galv. x 4" wide
	5042A1	Half Band, 8" galv. x 4" wide
	5044A1	Half Band, 10" galv. x 4" wide
2	1016663	Mounting Brkt., Band-on f/6"
	1016664	Mounting Brkt., Band-on f/8"
	1016665	Mounting Brkt., Band-on f/10"
3	1016646	Attach Pin x 10 1/2" lg. f/6"
	1016647	Attach Pin x 12 1/2" lg. f/8"
	1016648	Attach Pin x 14 1/2" lg. f/10"
4	1016638	Side Strap f/6"
	1016639	Side Strap f/8"
	1016640	Side Strap f/10"
5	1016747	Lynch Pin
6	1016643	Control Lever Handle