



## **GPM Storage – Multiple Project Release Training**

- Anchor Bolt Product Offering Guide
- Side Draw Product Offering Guide
- Roof Access Elevated Eave Platform (No Door) Kit Release
- Bin Peak Tower Landing Release
- 1 & 2 Tier Door – Painting Update Release
- Valley View Decal Release

# ANCHOR BOLT OFFERING

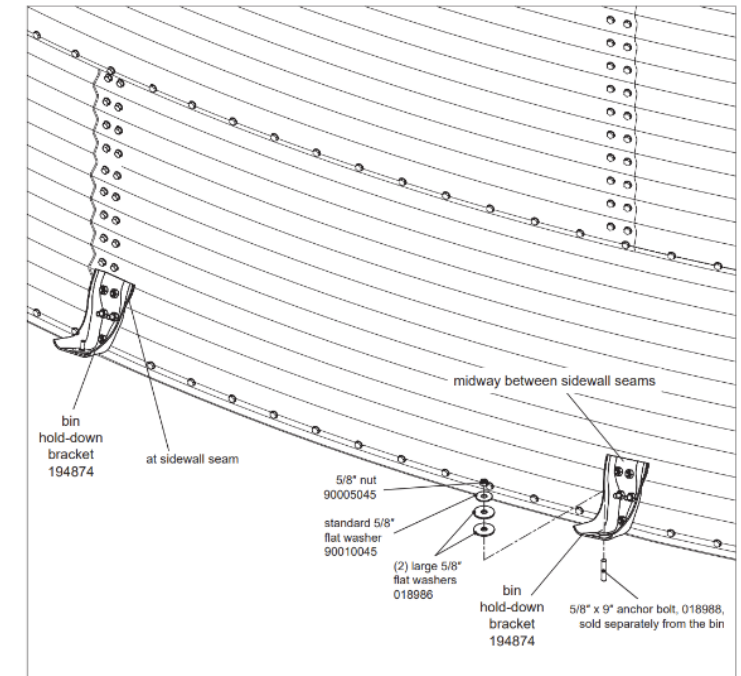
## UNSTIFFENED BINS

### ANCHOR BOTTOM ANGLE

- 1/2" x 4 1/2" Long Power Stud Wedge Expansion Anchors at **Minimum** Recommendation
- 6 per base angle to promote proper anchoring and sealing of bin
- Number of anchors equal bin diameter divided by 3
- Kits are based off bin diameter



**\*\*\* THIS METHOD IS NOT ENGINEERING RECOMMENDED \*\*\***



# ANCHOR BOLT OFFERING

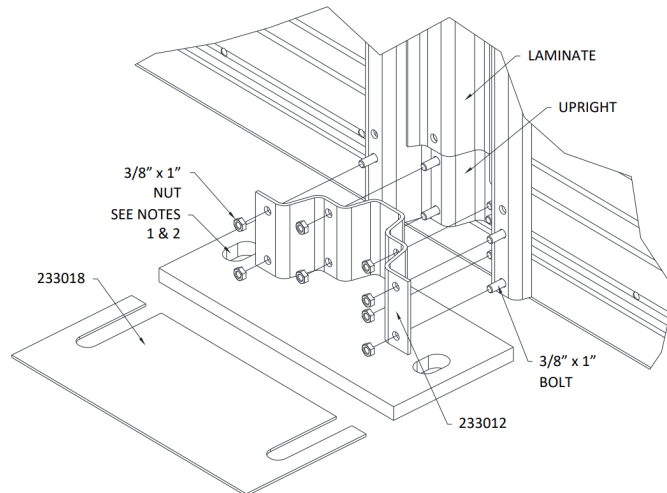
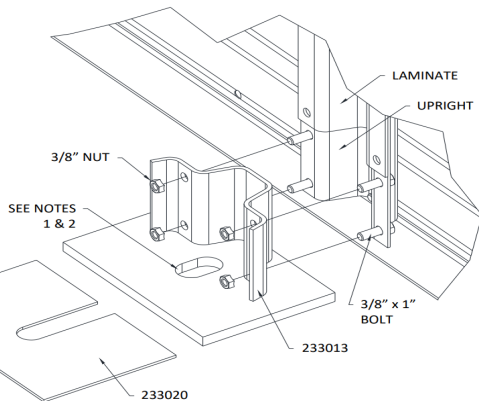


## STIFFENED BINS – 2 OPTIONS

### OPTION 1: POST-INSTALLED ANCHOR

- 3/4" x 8 1/2" Long Power stud Wedge Expansion Anchor is the **MINIMUM** recommendation to be used anchoring the baseplates for proper anchoring
- 1/2" x 4 1/2" Long Power stud Wedge Expansion is the **MINIMUM** recommendation to be used in every hole on bottom angle between upright for better sealing (\*\*Optional\*\*)
- We provide spacing information including circle radius and chord spacing
- All baseplates must have an anchor

Bin Model	Number of Tiers	Base Plate	Anchor Bolt Radius "R"		Anchor Bolt Cord						No. of Anchor Bolts
			Inch	mm	"C1"		"C3"		"C5"		
					Inch	mm	Inch	mm	Inch	mm	
15	13-14	233013	92-11/16"	2355	57-9/32"	1455	-	-	-	-	10
18	13-14	233013	110-5/8"	2809	57-1/4"	1454	156-7/16"	3973	-	-	12
21	13-14	233013	128-1/2"	3266	57-3/16"	1454	160-1/4"	4071	-	-	14
24	13-16	233013	146-7/16"	3721	57-1/8"	1452	162-11/16"	4132	-	-	16
27	13-16	233013	164-5/16"	4176	57-1/16"	1450	164-5/16"	4174	-	-	18
30	13-15	233013	182-1/4"	4630	57-0"	1449	165-15/32"	4203	257-23/32"	6546	20
3016	16	233012	183-0"	4648	57-1/4"	1454	166-5/32"	4220	257-25/32"	6573	40
33	13-16	233013	200-1/8"	5085	56-31/32"	1447	166-9/32"	4223	262-1/8"	6658	22
36	13-16	233013	218-1/16"	5540	56-29/32"	1446	166-7/8"	4239	265-15/32"	6743	24
39	13-16	233013	235-15/16"	5994	56-7/8"	1445	167-11/32"	4250	268-1/16"	6809	26
42	13-16	233013	253-7/8"	6449	56-27/32"	1444	167-11/16"	4259	270-1/8"	6861	28
45	13-16	233013	271-3/4"	6904	56-13/16"	1443	167-31/32"	4266	271-3/4"	6903	30
48	13-16	233013	289-11/16"	7358	56-25/32"	1442	168-5/32"	4271	273-3/32"	6936	32
51	11-16	233013	307-9/16"	7813	56-3/4"	1442	168-11/32"	4276	274-3/16"	6964	34
54	10-16	233013	325-1/2"	8268	56-23/32"	1441	168-15/32"	4279	275-3/32"	6988	36
60	8-15	233013	361-1/4"	9180	56-11/16"	1440	168-11/16"	4284	276-1/2"	7023	40
6016	16	233012	362-0"	9197	56-13/16"	1443	169-1/32"	4293	277-3/32"	7038	80

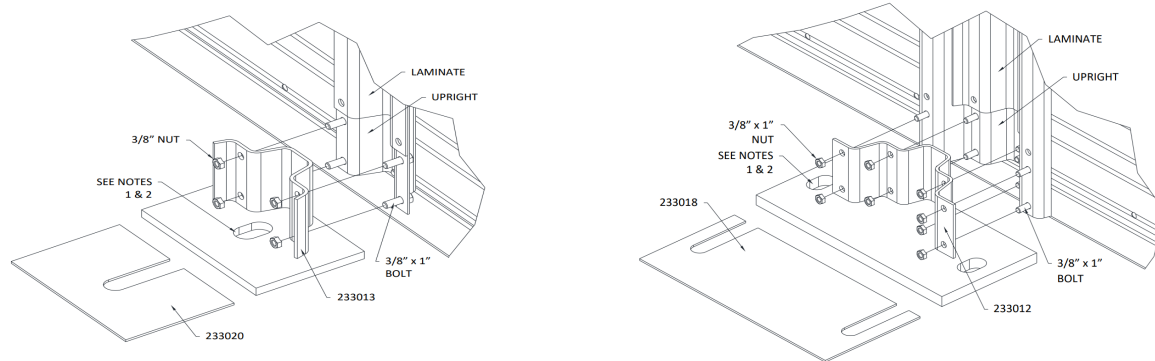


# ANCHOR BOLT OFFERING

## STIFFENED BINS – 2 OPTIONS

### OPTION 2: CAST-IN-PLACE ANCHOR

- 3/4" x 12" Long Threaded Rod with Welded Nut is the **MINIMUM** recommendation to be used for anchoring the baseplate for proper anchoring
- 1/2" x 4 1/2" Long Power stud Wedge Expansion Anchor is the **MINIMUM** recommendation to Be used in every hole on bottom angle between uprights for better sealing (\*\*Optional\*\*)
- We provide spacing information including circle radius and chord spacing
- All baseplates have an anchor



Bin Diameter		Bolt Circle Radius "A"		Anchor			Bolt Chordal Spacing					
nominal				Bolt	Bolt Dia	Bolt Dia	C1		C3		C5	
(ft)	(m)	(in)	mm	Quantity	(in)	(mm)	(in)	mm	(in)	mm	(in)	mm
15	4.57	92-11/16"	2355	10	3/4	19	57-9/32"	1455				
18	5.49	110-5/8"	2810	12	3/4	19	57-1/4"	1454	156-7/16"	3973		
21	6.40	128-1/2"	3264	14	3/4	19	57-3/16"	1453	160-1/4"	4071		
24	7.32	146-7/16"	3719	16	3/4	19	57-1/8"	1451	162-11/16"	4132		
27	8.23	164-5/16"	4174	18	3/4	19	57-1/16"	1450	164-5/16"	4174		
30	9.14	182-1/4"	4629	20	3/4	19	57-0"	1448	165-15/32"	4203	257-23/32"	6546
33	10.06	200-1/8"	5083	22	3/4	19	56-31/32"	1447	166-9/32"	4223	262-1/8"	6658
36	10.97	218-1/16"	5538	24	3/4	19	56-29/32"	1446	166-7/8"	4239	265-15/32"	6743
39	11.89	235-15/16"	5993	26	3/4	19	56-7/8"	1445	167-11/32"	4250	268-1/16"	6809
42	12.80	253-7/8"	6448	28	3/4	19	56-27/32"	1444	167-11/16"	4259	270-1/8"	6861
45	13.72	271-3/4"	6903	30	3/4	19	56-13/16"	1443	167-31/32"	4266	271-3/4"	6903
48	14.63	289-11/16"	7357	32	3/4	19	56-25/32"	1442	168-5/32"	4271	273-3/32"	6936
51	15.54	307-9/16"	7812	34	3/4	19	56-3/4"	1442	168-11/32"	4276	274-3/16"	6964
54	16.46	325-1/2"	8267	36	3/4	19	56-23/32"	1441	168-15/32"	4279	275-3/32"	6988

# ANCHOR BOLT OFFERING

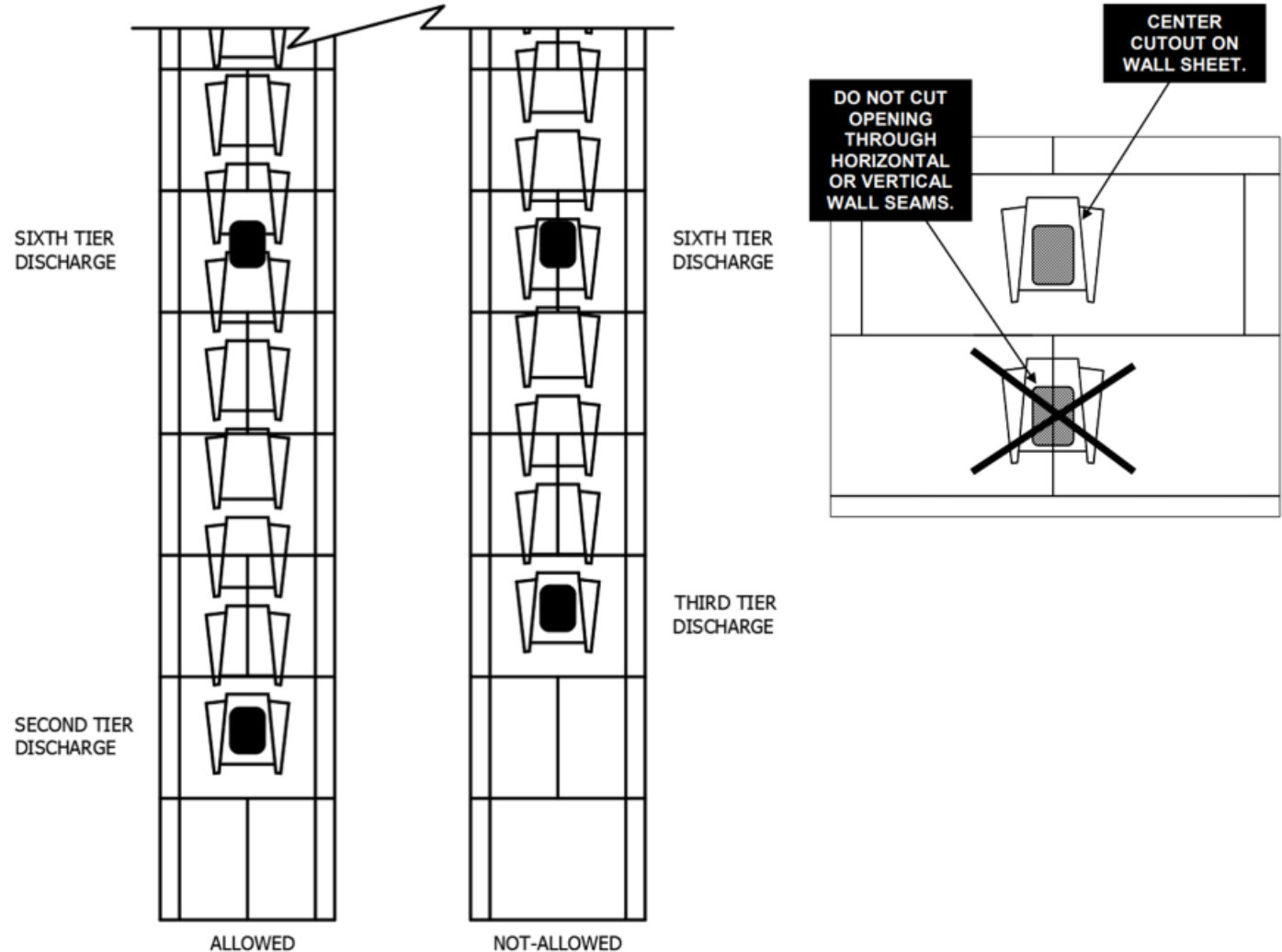
## KEY TAKEAWAYS

- Standard Kits are set up and will be offered depending on the bin diameter and tier height for the required upright/base plate requirements.
- For Anchoring between the uprights for proper seal of the bin, the unstiffened kits can be used.
- These kits are all optional and are designed to be a convenient accessory when purchasing a bin.
- For Seismic or Commercial bins (66' Diameter+ or 17+ tiers) Please contact Applications Engineering for correct anchoring requirement.



# LOCATING MULTIPLE SIDE DRAWS IN A BIN

- If installing multiple side draws in a bin, the following layout and installation instructions must be followed
- For multiple Side Draws aligned vertically, all Side Draw locations must either be Even tiers or Odd tiers
  - A 6<sup>th</sup> tier and a 2<sup>nd</sup> tier Side Draw can be aligned vertically
  - A 5<sup>th</sup> tier and a 3<sup>rd</sup> tier Side Draw can be aligned vertically
  - Baffle layout will be for the lower side draw discharge. Lowest baffle will be centered vertically on the lowest side draw opening. Upper side draw opening might not have a baffle centered vertically on it, but that is OK.
- If Side Draws are not all Even tiers or Odd tiers, then Side Draws **cannot** be aligned vertically
  - One of the Side Draws will end up located at a vertical wall sheet seam, and a Side Draw can **never** be installed in a vertical wall sheet seam



# ***LOCATING MULTIPLE SIDE DRAWS IN A BIN (CONT.)***

- For multiple Side Draws not aligned vertically, these Side Draws must be positioned 180° away from each other
  - This is to ensure when unloading the bin from the second Side Draw, after the bin has been partially emptied from the first Side Draw, the loads acting on the side walls, due to the grain, are not significantly out-of-round
- When ordering multiple Side Draws to be aligned vertically, the following ordering information must be followed
- Order the Side Draw Wall Spout Kit for the lowest Side Draw in the vertical alignment
  - If a 6th tier and a 2nd tier Side Draw will be vertically aligned, you must order the 2nd tier Side Draw Wall Spout Kit

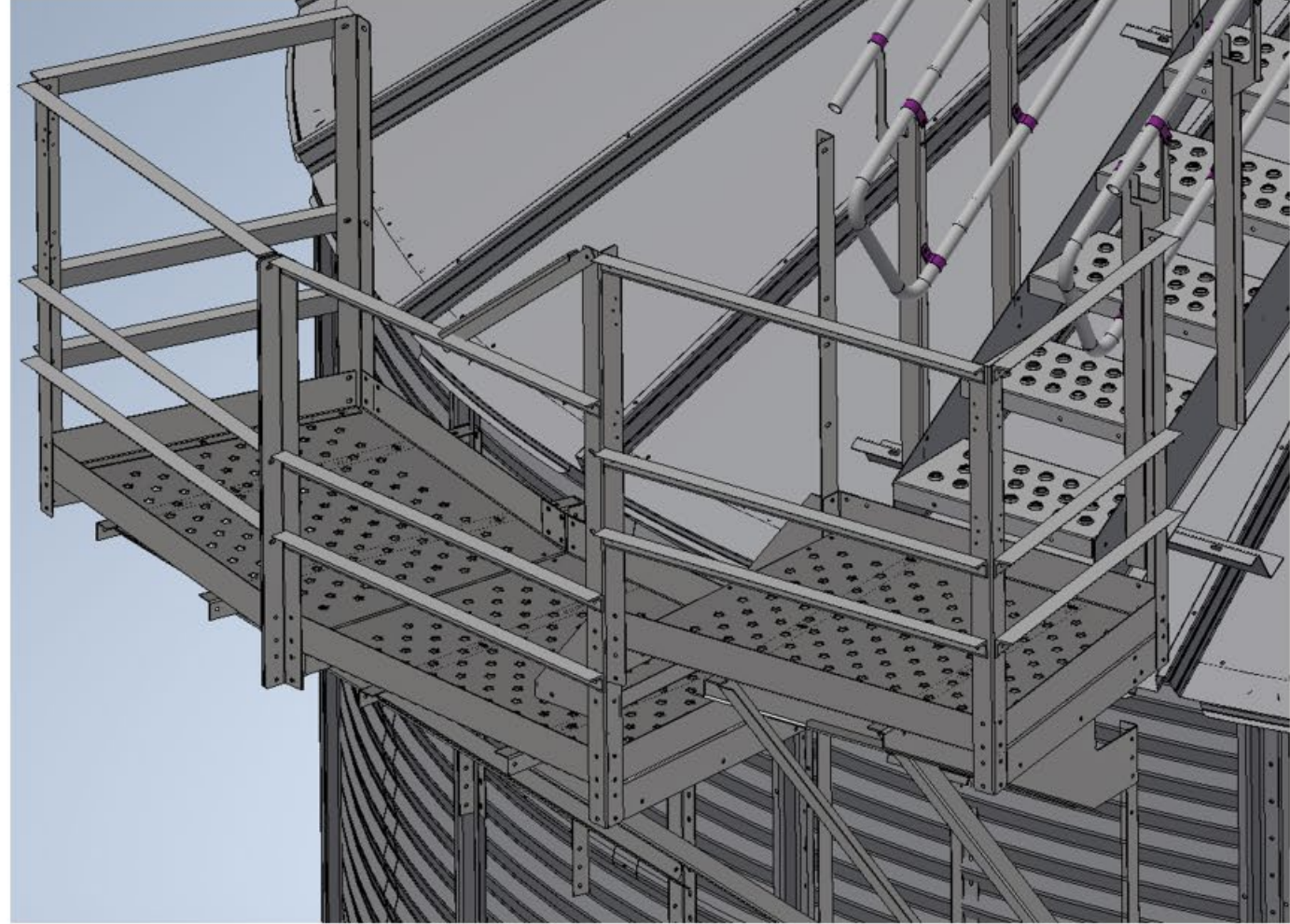
# ***LOCATING MULTIPLE SIDE DRAWS IN A BIN (CONT.)***

- For the upper Side Draw openings, you must order the following items
  - The correct Reinforcing Sidewall Sheet
  - The Side Draw Wall Spout Assembly and corresponding hardware package.
- If you need any assistance ordering these items, please contact the AE Team.

# ROOF ACCESSORIES – ELEVATED EAVE BLOCK OFF PLATFORM

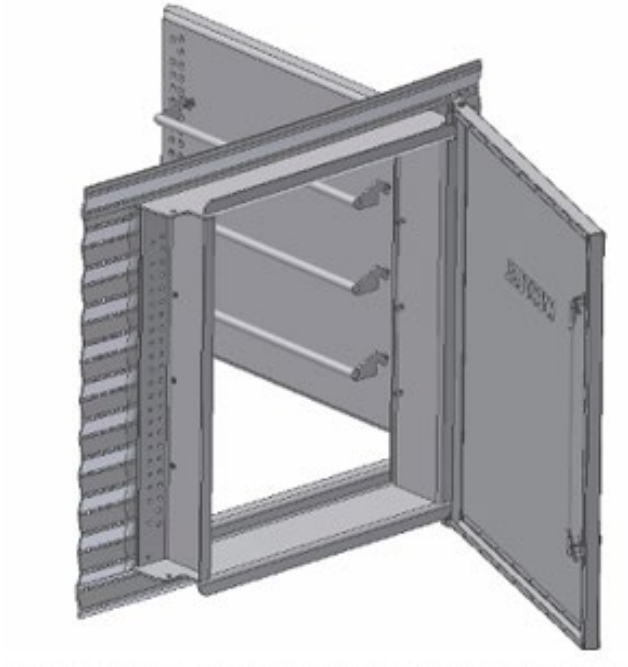
- Elevated Eave Block Off Platform
  - Used in conjunction with the roof stairs, when the roof stairs are only accessible from the peak of the roof
  - Intended to provide a barrier at the lower end of the roof stairs.
  - Only available as a platform located at the eave of the bin
  - Comes as one kit including the double eave platform and the elevated platform portion

234848 AGI ELEV EAVE PLTM 15-39 NO DOOR - OSHA  
234849 AGI ELEV EAVE PLTM 42-135 NO DOOR - OSHA



# 4" 1 & 2 TIER DOOR PAINT CHANGE RELEASE

- Up to this point, the 1 & 2 Tier doors were painted black.
- As of now, any 1 & 2 tier doors shipping from the AGI St. Boniface will be painted silver.



# VALLEY VIEW DECAL RELEASE

Valley View requested to have the same decaling options that they did when ordering from Grand Island. Each bin must have one(1) AGI decal and two(2) Valley View decals. Therefore, a Stiffened & Unstiffened options have been developed:



## UNSTIFFENED BINS - DECAL INTERNAL TO BIN

- For Valley View Unstiffened bin sales there are two bin kits that have been created which include two(2) Valley View decals and one(1) AGI decal which are part of the wall bundle.

PART NUMBER	DESCRIPTION
195772-VV	VALLEY VIEW 4807 UNSTIFF FLAT BTM BIN
195774-VV	VALLEY VIEW 4809 UNSTIFF FLAT BTM BIN

## STIFFENED BINS - DECAL INTERNAL TO BIN

- For Valley View Stiffened bin sales a standard AGI bin can be sold along with two(2) External Valley View Decal Kits.

PART NUMBER	DESCRIPTION
195215	EXTERNAL VALLEY VIEW DECAL KIT



# BROWNIE/WESTEEL INTEGRATION

- Standard peak support solutions to accommodate Brownie Catwalk or Peak Towers on the top of Westeel Structural Roof
- Options now available for 52" and 60" peak ring
- Manufactured at AGI Nobleford
- Applications Engineering to determine if required at time of quote of system

Part Number	Description
242215	BIN PEAK TOWER LANDING FOR 60" PEAK
242216	BIN PEAK TOWER LANDING FOR 52" PEAK

