



## BULLETIN: Baseplate Assembly Modification

PROJECT ID#	GPM-SS-B-0049
ISSUED DATE	May 25, 2025
ISSUED BY	Niki Nazarewich
DISTRIBUTION	
BRAND	AGI & WESTEEL
PRODUCT FAMILY, CLASS & LINE	Storage
MODEL	Stiffened Bins
EFFECTIVE DATE	June 1, 2025,
MFG LOCATION	AGI St. Boniface

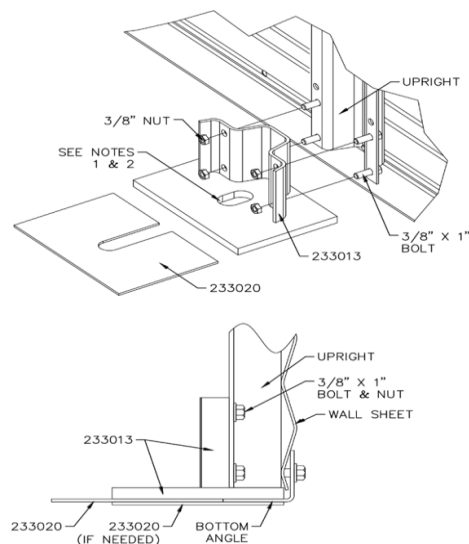
### Overview

In alignment with AGI's North American bin standardization initiative, a review of the baseplate assemblies has been completed. To continually improve our product offering, the baseplate 232836 and anchor bracket 232735 previously used in smaller bins will now be eliminated. This change aligns the design of smaller bins with that of the larger bins.

### Product Information

#### Standard baseplate assembly

- The 233013 baseplate laminates to the profile of the upright.
- This baseplate is fully welded, and hot dipped galvanized.





The following stiffened bins have the been updated to include the standard baseplate assembly:

- 1505-1512
- 1805-1812
- 2105-2112
- 2405-2412
- 2705-2712
- 3005-3012
- 3305-3312
- 3604-3612
- 3905-3912
- 4205-4212
- 4505-4512
- 4805-4812
- 5105-5110
- 5405-5409

Contact your local Territory Manager or CX at [csr.USfarm@aggrowth.com](mailto:csr.USfarm@aggrowth.com) (US) and/or [csr.storage.wpg@aggrowth.com](mailto:csr.storage.wpg@aggrowth.com) for further information.