



BULLETIN: AGI Anchor Bolt Recommendation – Farm Bins

PROJECT ID#	GPM-SS-B-0038
ISSUED DATE	May 23, 2025,
ISSUED BY	Niki Nazarewich
DISTRIBUTION	
BRAND	AGI & WESTEEL
PRODUCT FAMILY, CLASS & LINE	Storage
MODEL	Stiffened & Unstiffened Bins
EFFECTIVE DATE	June 1, 2025,
MFG LOCATION	AGI St. Boniface

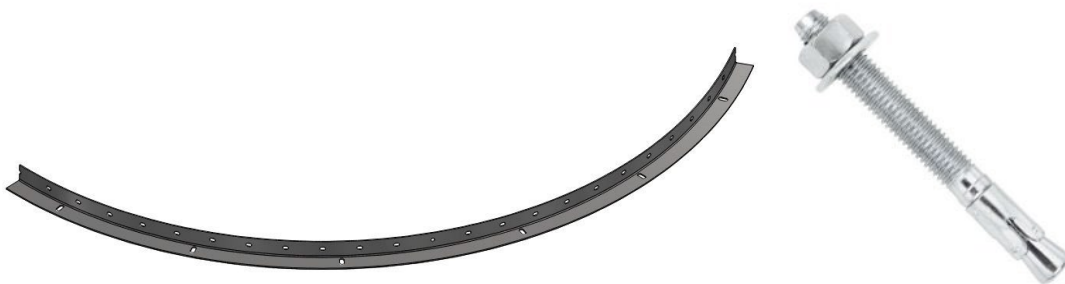
Overview

In alignment with AGI's North American Bin Standardization strategic goals, a comprehensive review of the anchor bolts offerings was completed. The objective was to develop standardized AGI North American Anchor Bolt recommendations for both stiffened and unstiffened bins (up to 60' in diameter and 16 tiers)

1. Unstiffened Bins

Anchor Bottom Angle

- ½" x 4 ½" Long Power Stud Wedge Expansion Anchors at **Minimum** Recommendation
- 6 per base angle to promote anchoring and sealing of bin
- Number of anchors equal bin diameter divided by 2



2. Stiffened Bins – 2 Options

Option 1 – Post-Installed Anchor

- $\frac{3}{4}$ " x 8 $\frac{1}{2}$ " Long Power Stud Wedge Expansion Anchor is the **Minimum** recommendation to be used anchoring baseplates for proper anchoring the baseplates for proper anchoring.
- $\frac{1}{2}$ " x 4 $\frac{1}{2}$ " Long Power stud Wedge Expansion Anchor is the **Minimum** recommendation to be used in every hole on bottom angle between upright for better sealing (**Optional**)
- We provide spacing information including radius and chord spacing within the installation instructions
- All baseplates require an anchor

Option 2– Cast – In – Place Anchor

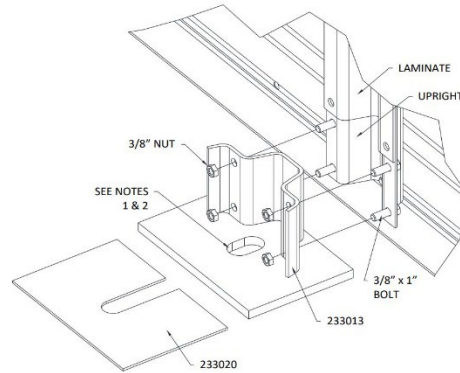
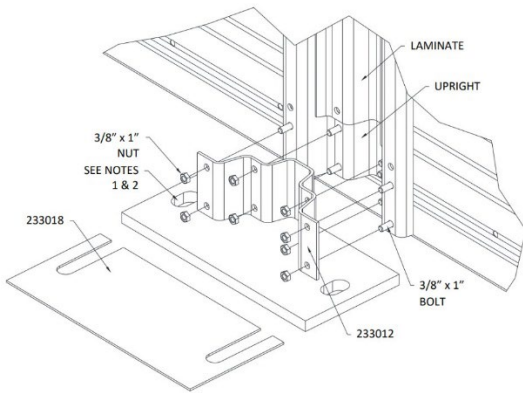
- $\frac{3}{4}$ " x 12" Long Threaded Rod with Welded Nut is the **Minimum** recommendation to be used for anchoring the baseplate for proper anchoring
- $\frac{1}{2}$ " x 4 $\frac{1}{2}$ " Long Power Stud Wedge Expansion Anchor is the **Minimum** recommendation to be used in every hole on bottom angle between uprights for better sealing (**Optional**)
- We provide spacing information including circle radius and chord spacing within the installation instructions
- All baseplates require an anchor



Cast In Place Anchor



Long Power Stud Wedge Expansion Anchor



233012 – Base Plate Assy 7.5 x 16 Slotted

233013 – Base Plate Assy 6 x 9 Slotted

Table 2. 15'-60' (4.57 m - 18.29 m) Diameters - 2 anchors per sidewall sheet

Bin Model	Number of Tiers	Base Plate	Anchor Bolt Cord								
			Anchor Bolt Radius "R"		"C1"		"C3"		"C5"		No. of Anchor Bolts
			Inch	mm	Inch	mm	Inch	mm	Inch	mm	
15	13-14	233013	92-11/16"	2355	57-9/32"	1455	-	-	-	-	10
18	13-16*	233013	110-5/8"	2809	57-1/4"	1454	156-7/16"	3973	-	-	12
21	13-16	233013	128-1/2"	3266	57-3/16"	1454	160-1/4"	4071	-	-	14
24	13-16	233013	146-7/16"	3721	57-1/8"	1452	162-11/16"	4132	-	-	16
27	13-16	233013	164-5/16"	4176	57-1/16"	1450	164-5/16"	4174	-	-	18
30	13-15	233013	182-1/4"	4630	57-0"	1449	165-15/32"	4203	257-23/32"	6546	20
3016	16	233012	183-0"	4648	57-1/4"	1454	166-5/32"	4220	257-25/32"	6573	40
33	13-16	233013	200-1/8"	5085	56-31/32"	1447	166-9/32"	4223	262-1/8"	6658	22
36	13-16	233013	218-1/16"	5540	56-29/32"	1446	166-7/8"	4239	265-15/32"	6743	24
39	13-16	233013	235-15/16"	5994	56-7/8"	1445	167-11/32"	4250	268-1/16"	6809	26
42	13-16	233013	253-7/8"	6449	56-27/32"	1444	167-11/16"	4259	270-1/8"	6861	28
45	13-16	233013	271-3/4"	6904	56-13/16"	1443	167-31/32"	4266	271-3/4"	6903	30
48	13-16	233013	289-11/16"	7358	56-25/32"	1442	168-5/32"	4271	273-3/32"	6936	32
51	11-16	233013	307-9/16"	7813	56-3/4"	1442	168-11/32"	4276	274-3/16"	6964	34
54	10-16	233013	325-1/2"	8268	56-23/32"	1441	168-15/32"	4279	275-3/32"	6988	36
60	8-15	233013	361-1/4"	9180	56-11/16"	1440	168-11/16"	4284	276-1/2"	7023	40
6016	16	233012	362-0"	9197	56-13/16"	1443	169-1/32"	4293	277-3/32"	7038	80

*For 1816 bin, both bottom angle anchor bolt kit 231601 and 233013 base plate anchors are required.

For ease of ordering, anchor bolts can be purchased either in bulk or configured for specific bin diameters. Please note that there are a few 16 tier bins that require an independent package.

Unstiffened Bins

Material	Description
193828	BOLT ANCHOR 1/2" X 4 1/2" POWERSTUD+SD1 ZP
154994	WASHER FLT.625 TYP A (W)ZN



Material	Description
231600	WEDGE ANCHOR KIT – 1504-7 UNSTIFF BIN
231601	WEDGE ANCHOR KIT – 1804-7 UNSTIFF BIN
231602	WEDGE ANCHOR KIT – 2104-8 UNSTIFF BIN
231603	WEDGE ANCHOR KIT – 2404-8 UNSTIFF BIN
231604	WEDGE ANCHOR KIT – 2704-9 UNSTIFF BIN
231605	WEDGE ANCHOR KIT – 3004-9 UNSTIFF BIN
231606	WEDGE ANCHOR KIT – 3304-9 UNSTIFF BIN
231607	WEDGE ANCHOR KIT – 3604-9 UNSTIFF BIN
231608	WEDGE ANCHOR KIT – 3905-9 UNSTIFF BIN
231609	WEDGE ANCHOR KIT – 4204-9 UNSTIFF BIN
231610	WEDGE ANCHOR KIT – 4504-9 UNSTIFF BIN
231611	WEDGE ANCHOR KIT – 4804-9 UNSTIFF BIN
231612	WEDGE ANCHOR KIT – 5104-9 UNSTIFF BIN
231613	WEDGE ANCHOR KIT – 5405-9 UNSTIFF BIN

Stiffened Bins Option 1 – Post Installed Anchor

Material	Description
193829	BOLT ANCHOR 3/4"X8 1/2" POWERSTUD+SD1 ZP
232811	WASHER SQUARE 2.00 X 2.00 (FOR 233013)

Material	Description
231653	WEDGE ANCHOR KIT - 1505-14 STIFF BIN
231654	WEDGE ANCHOR KIT - 1805-15 STIFF BIN
231671	WEDGE ANCHOR KIT – 1816 STIFF BIN
231655	WEDGE ANCHOR KIT - 2105-16 STIFF BIN
231656	WEDGE ANCHOR KIT - 2405-16 STIFF BIN
231657	WEDGE ANCHOR KIT - 2705-16 STIFF BIN
231658	WEDGE ANCHOR KIT - 3005-15 STIFF BIN
231659	WEDGE ANCHOR KIT - 3016 STIFF BIN
231660	WEDGE ANCHOR KIT - 3305-16 STIFF BIN
231661	WEDGE ANCHOR KIT - 3605-16 STIFF BIN
231662	WEDGE ANCHOR KIT - 3905-16 STIFF BIN
231663	WEDGE ANCHOR KIT - 4205-16 STIFF BIN
231664	WEDGE ANCHOR KIT - 4505-16 STIFF BIN
231665	WEDGE ANCHOR KIT - 4805-16 STIFF BIN
231666	WEDGE ANCHOR KIT - 5105-16 STIFF BIN
231667	WEDGE ANCHOR KIT - 5405-16 STIFF BIN
231668	WEDGE ANCHOR KIT - 6008-15 STIFF BIN



231669	WEDGE ANCHOR KIT - 6016 STIFF BIN
--------	--

Stiffened Bins Option 2 – Cast-In-Place

Material	Description
M655827ZP	BOLT ANCHOR ZP .75X12 HEAD c/w NUT/WASHR
232811	WASHER SQUARE 2.00 X 2.00 (FOR 233013)

Material	Description
231636	CAST-IN ANCHOR KIT - 1505-14 STIFF BIN
231637	CAST-IN ANCHOR KIT - 1805-15 STIFF BIN
231670	CAST-IN ANCHOR KIT – 1816 STIFF BIN
231638	CAST-IN ANCHOR KIT – 2105-16 STIFF BIN
231639	CAST-IN ANCHOR KIT - 2405-16 STIFF BIN
231640	CAST-IN ANCHOR KIT - 2705-16 STIFF BIN
231641	CAST-IN ANCHOR KIT - 3005-15 STIFF BIN
231642	CAST-IN ANCHOR KIT - 3016 STIFF BIN
231643	CAST-IN ANCHOR KIT - 3305-16 STIFF BIN
231644	CAST-IN ANCHOR KIT - 3605-16 STIFF BIN
231645	CAST-IN ANCHOR KIT - 3905-16 STIFF BIN
231646	CAST-IN ANCHOR KIT - 4205-16 STIFF BIN
231647	CAST-IN ANCHOR KIT - 4505-16 STIFF BIN
231648	CAST-IN ANCHOR KIT - 4805-16 STIFF BIN
231649	CAST-IN ANCHOR KIT - 5105-16 STIFF BIN
231650	CAST-IN ANCHOR KIT - 5405-16 STIFF BIN
231651	CAST-IN ANCHOR KIT - 6008-15 STIFF BIN
231652	CAST-IN ANCHOR KIT - 6016 STIFF BIN

Contact your local Territory Manager or CX at csr.usfarm@aggrowth.com (US) or csr.storagewpg@aggrowth.com (Canada) for further information.